

Webinar on introduction of Article 6 reporting and its linkage with ETF under the Paris Agreement

29 May 2024

Introduction to reporting under Article 13 of the Paris Agreement and linkages with the Article 6 reporting

Jaypalsinh Chauhan

Asia Transparency Network Coordinator
CBIT GSP, UNEP Copenhagen Climate Centre

Executed by:



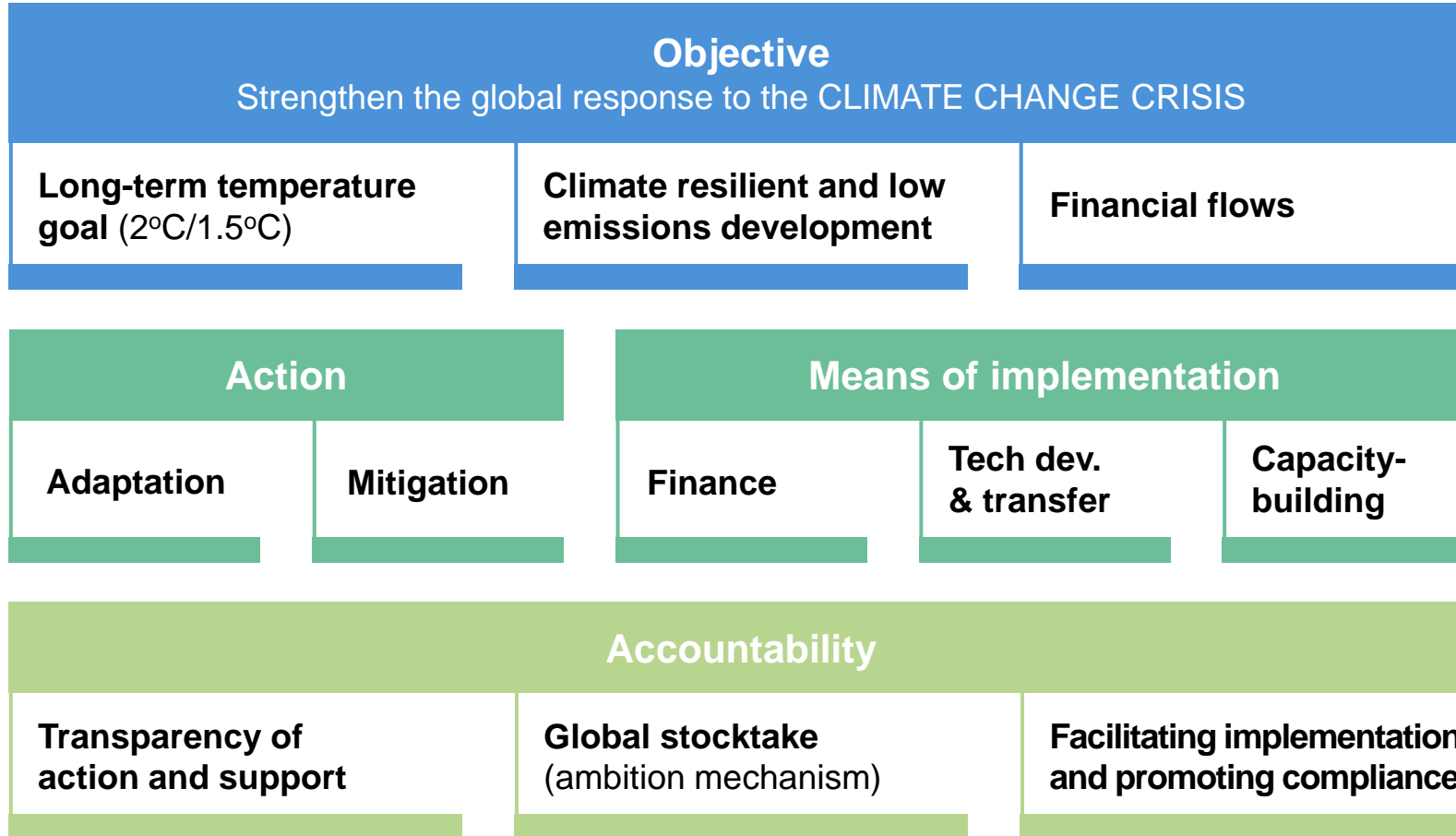
Funded by:



Implemented by:



Understanding the Paris Agreement



- **Article 4 – Mitigation/NDC**
- **Article 6 – Voluntary cooperation**
- **Article 7 – Adaptation**
- **Article 9 – Finance**
- **Article 10 – Technology development and transfer**
- **Article 11 – Capacity-building**
- **Article 13 – Transparency**
- **Article 14 – Global Stocktake**
- **Article 15 – Compliance**

Executed by:



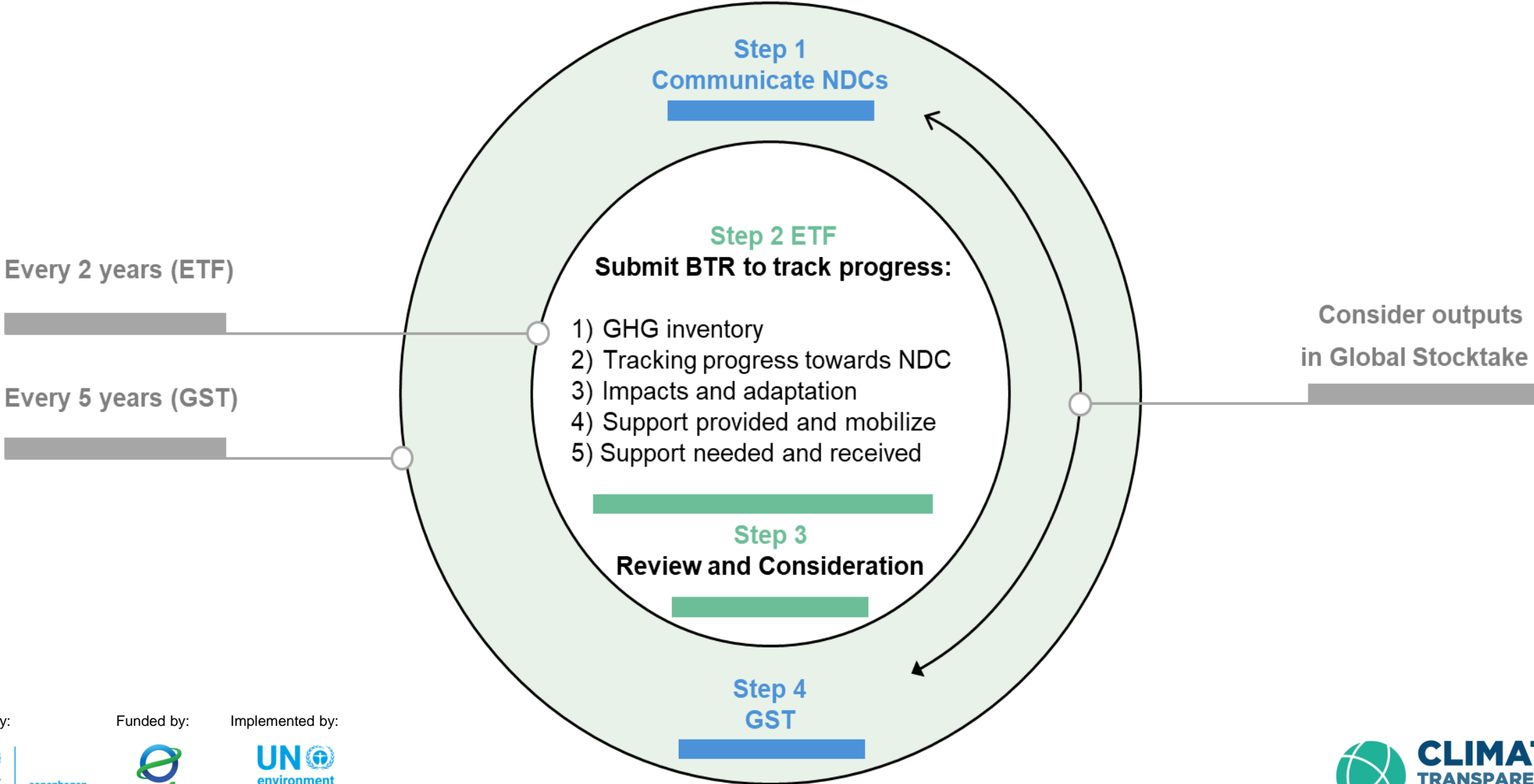
Funded by:



Implemented by:



Paris Agreement – Linking NDCs, ETF and GST



Executed by:



Funded by:

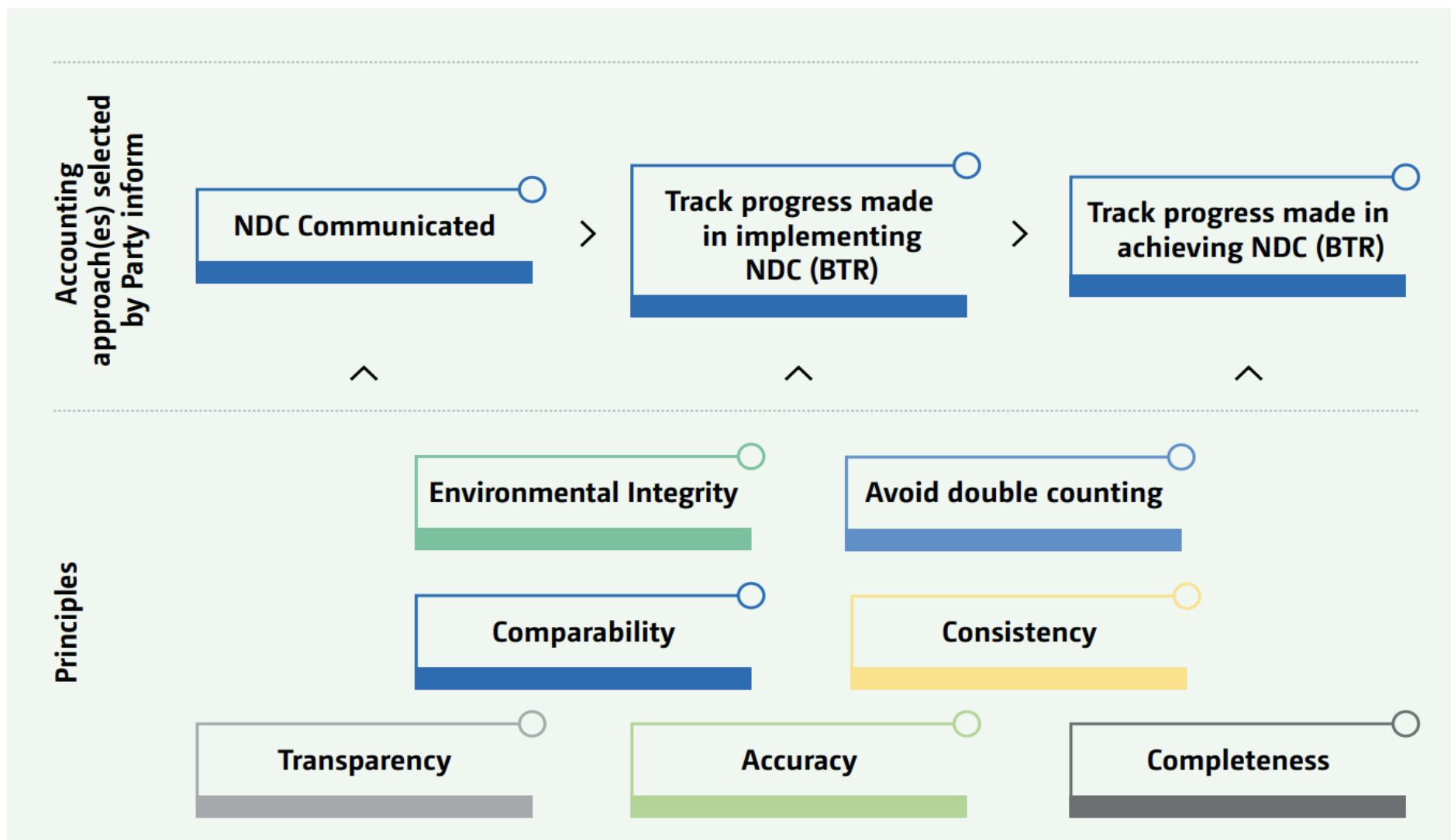


Implemented by:



copenhagen climate centre

Relationship between tracking progress and accounting of nationally determined contributions



Executed by:



copenhagen climate centre

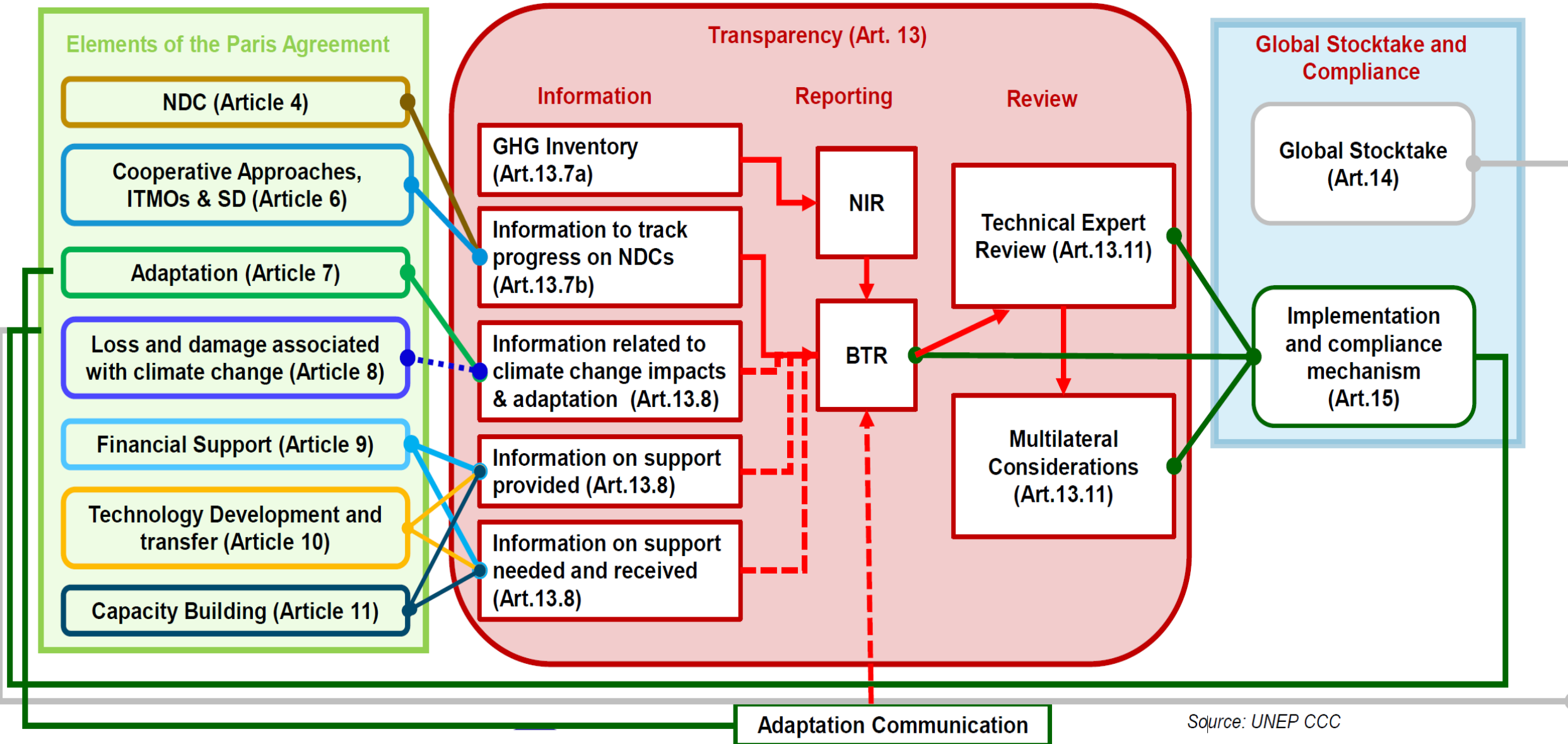
Funded by:



Implemented by:



The ETF of the PA



Article 13 : Transparency of climate action and support

Reporting

All Parties (shall)

- » National greenhouse gas (GHG) inventory report {Article 13.7(a)}
- » Progress made in implementing and achieving nationally determined contribution (NDC) {Article 13.7(b)}

Developed country Parties (shall) and other Parties that provided support (should)

- » Financial, technology transfer and capacity-building support provided to developing country Parties under Article 9, 10 and 11 {Article 13.9}

All Parties (should, as appropriate)

- » Climate change impacts and adaptation {Article 13.8}

Developing country Parties (should)

- » Financial, technology transfer and capacity-building support needed and received under Articles 9, 10 and 11 {Article 13.10}

Technical expert review

All Parties (shall)

- » Undergo technical expert review of information submitted under Article 13.7 {Article 13.11}

Developed country Parties (shall) and other Parties that provided support (may)

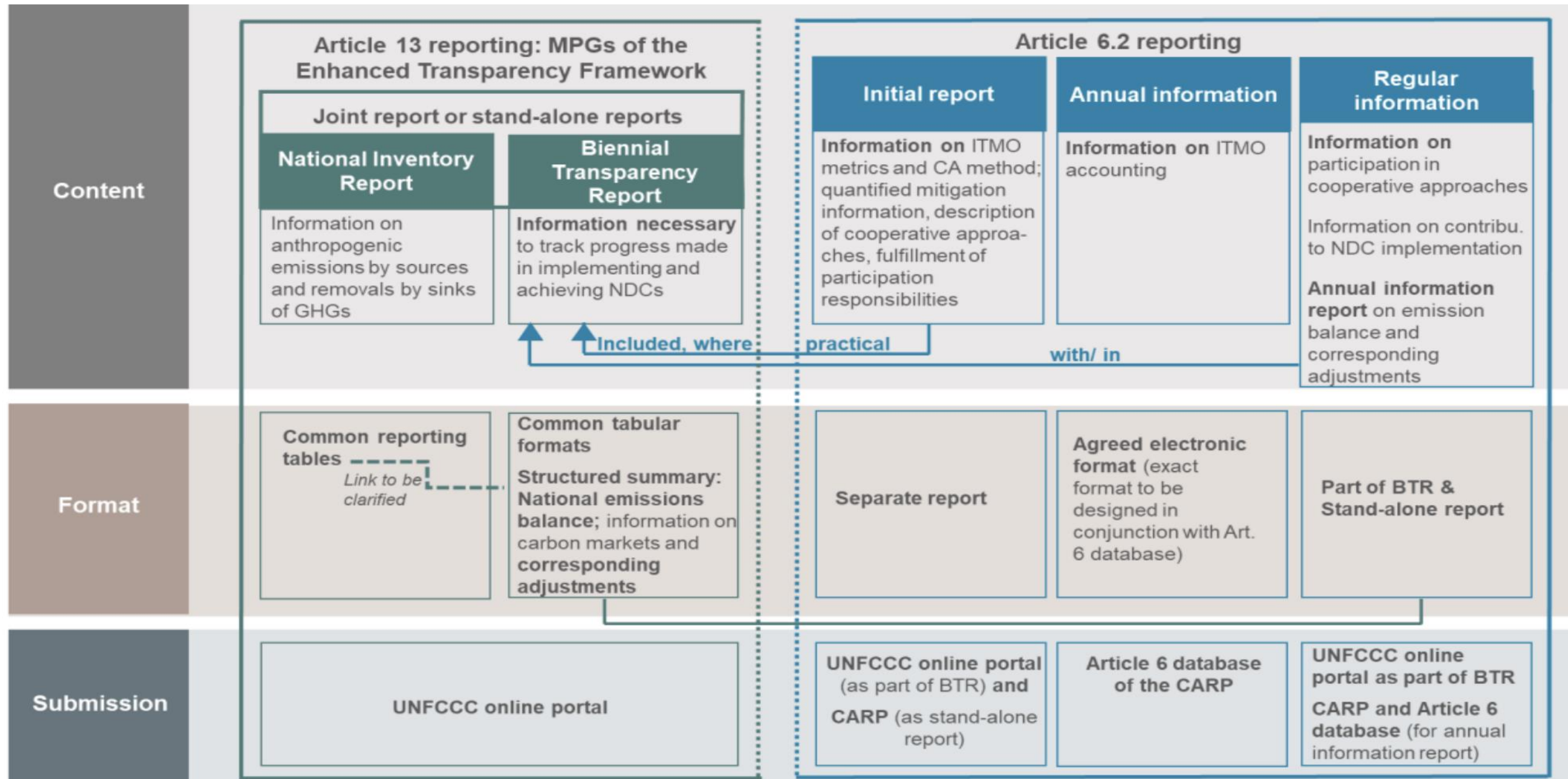
- » Undergo technical expert review of information submitted under Article 13.9 {Article 13.11}

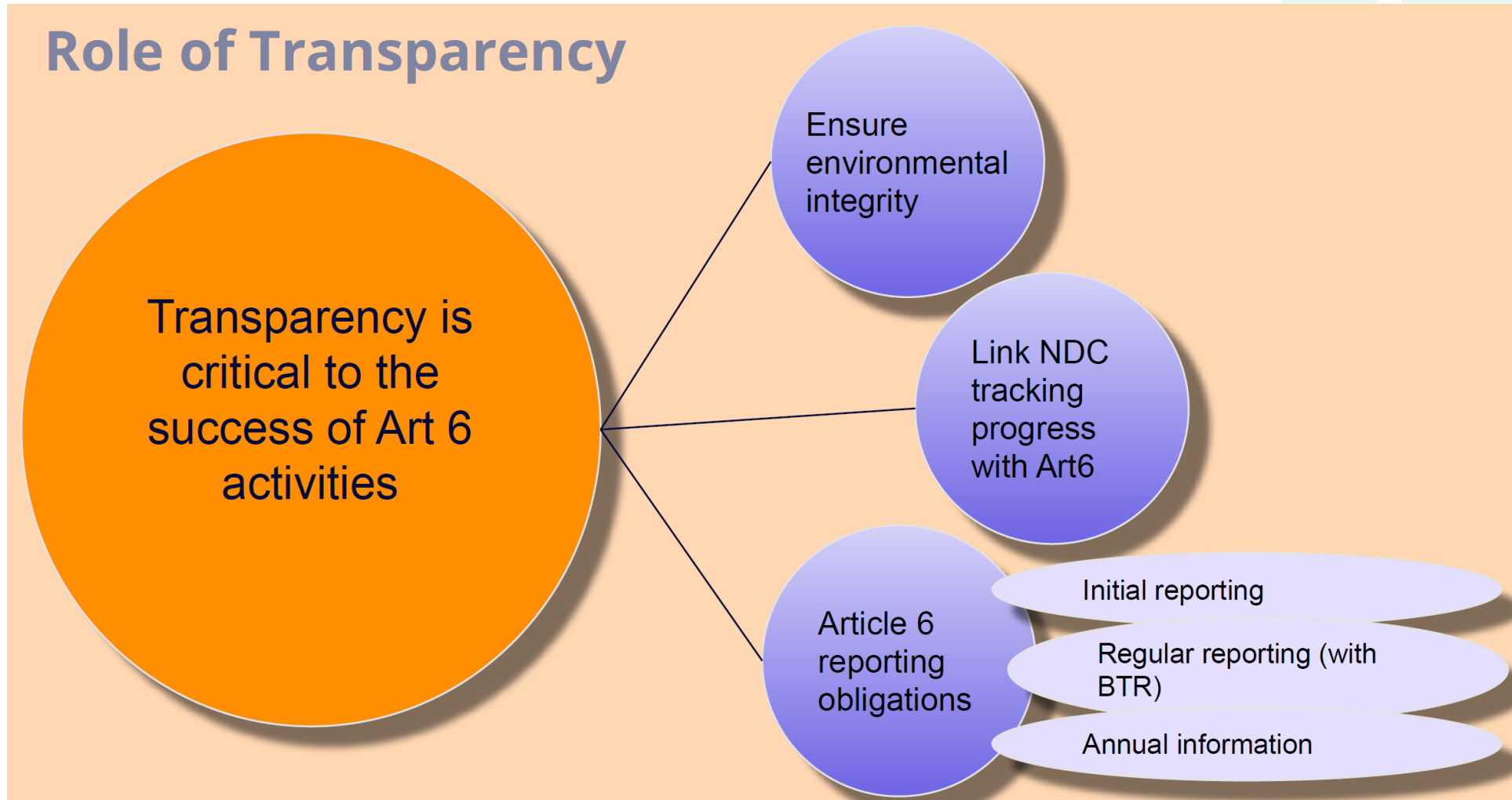
Facilitative multilateral consideration

All Parties (shall)

- » Facilitative multilateral consideration of progress with respect to efforts under Article 9, and its respective implementation and achievement of its NDCs {Article 13.11}

Interrelationships between Article 6 and 13 reports





Executed by:



Funded by:

copenhagen climate centre



Implemented by:



Article 4 : CTF Tables of the NDC Tracking

Common tabular formats for the electronic reporting of the information necessary to track progress made in implementing and achieving nationally determined contributions under Article 4 of the Paris Agreement

- [Table 1](#) Structured summary: Description of selected indicators
- [Table 2](#) Structured summary: Definitions needed to understand NDC
- [Table 3](#) Structured summary: Methodologies and accounting approaches – consistency with Article 4, paragraphs 13 and 14, of the Paris Agreement and with decision 4/CMA.1
- [Table 4](#) Structured summary: Tracking progress made in implementing and achieving the NDC under Article 4 of the Paris Agreement
- [Table 5](#) Mitigation policies and measures, actions and plans, including those with mitigation co-benefits resulting from adaptation actions and economic diversification plans, related to implementing and achieving a nationally determined contribution under Article 4 of the Paris Agreement
- [Table 6](#) Summary of greenhouse gas emissions and removals in accordance with the common reporting table 10 emission trends – summary
- [Table 7](#) Information on projections of greenhouse gas emissions and removals under a ‘with measures’ scenario
- [Table 8](#) Information on projections of greenhouse gas emissions and removals under a ‘with additional measures’ scenario
- [Table 9](#) Information on projections of greenhouse gas emissions and removals under a ‘without measures’ scenario
- [Table 10](#) Projections of key indicators
- [Table 11](#) Key underlying assumptions and parameters used for projections
- [Table 12](#) Information necessary to track progress on the implementation and achievement of the domestic policies and measures implemented to address the social and economic consequences of response measures
- [Appendix](#) Reporting format for the description of a Party’s nationally determined contribution under Article 4 of the Paris Agreement, including updates

Executed by:



Funded by:



Implemented by:



Article 4 : CTF Tables of the NDC Tracking

1. Structured summary: Description of selected indicators

Indicator(s) selected to track progress ^a	Description
{Indicator 1}	
Information for the reference point(s), level(s), baseline(s), base year(s) or starting point(s), as appropriate ^b	
Updates in accordance with any recalculation of the GHG inventory, as appropriate ^b	
Relation to NDC ^c	
{Indicator 2}	
Information for the reference point(s), level(s), baseline(s), base year(s) or starting point(s), as appropriate ^b	
Updates in accordance with any recalculation of the GHG inventory, as appropriate ^b	
Relation to NDC ^c	
{Indicator n}	
Information for the reference point(s), level(s), baseline(s), base year(s) or starting point(s), as appropriate ^b	
Updates in accordance with any recalculation of the GHG inventory, as appropriate ^b	
Relation to NDC ^c	

Executed by:



Funded by:



Implemented by:



copenhagen climate centre

Article 4 : CTF Tables of the NDC Tracking

3. Structured summary: Methodologies and accounting approaches – consistency with Article 4, paragraphs 13 and 14, of the Paris Agreement and with decision 4/CMA.1

Reporting requirement	Description or reference to the relevant section of the BTR
<i>Each Party that participates in cooperative approaches that involve the use of ITMOs towards an NDC under Article 4, or authorizes the use of mitigation outcomes for international mitigation purposes other than achievement of its NDC</i>	
Provide information on any methodologies associated with any cooperative approaches that involve the use of ITMOs towards an NDC under Article 4 (para. 75(f) of the MPGs)	
Provide information on how each cooperative approach promotes sustainable development, consistent with decisions adopted by the CMA on Article 6 (para. 77(d)(iv) of the MPGs)	
Provide information on how each cooperative approach ensures environmental integrity consistent with decisions adopted by the CMA on Article 6 (para. 77(d)(iv) of the MPGs)	
Provide information on how each cooperative approach ensures transparency, including in governance, consistent with decisions adopted by the CMA on Article 6 (para. 77(d)(iv) of the MPGs)	
Provide information on how each cooperative approach applies robust accounting to ensure, inter alia, the avoidance of double counting, consistent with decisions adopted by the CMA on Article 6 (para. 77(d)(iv) of the MPGs)	
Any other information consistent with decisions adopted by the CMA on reporting under Article 6 (para. 77(d)(iii) of the MPGs)	

Executed by:



Funded by:

copenhagen climate centre



Implemented by:



Article 4 : CTF Tables of the NDC Tracking

4. Structured summary: Tracking progress made in implementing and achieving the NDC under Article 4 of the Paris Agreement^a

Example for Parties that participates in cooperative approaches that involve the use of ITMOs towards an NDC under Article 4 of the Paris Agreement

	Unit, as applicable	Reference point(s), level(s), baseline(s), base year(s) or starting point(s){MPGs, p. 67, 77(a)(i)}	Implementation period of the NDC covering information for previous reporting years and the most recent year, including the end year or end of period {MPGs, p. 68, 77(a)(ii-iii)}						Target level ^b	Target year or period	Progress made towards the NDC, as determined by comparing the most recent information for each selected indicator, including for the end year or end of period, with the reference point(s), level(s), baseline(s), base year(s) or starting point(s) (paras. 69–70 of the MPGs)
			Year 1	Year 2	End Year			
Indicator(s) selected to track progress towards the implementation and/or achievement of the NDC under Article 4 of the Paris Agreement^c : {MPGs, p. 65, 77(a)}											
{Indicator}											
{Parties can add rows for each additional indicator and supporting information for each indicator, e.g. baseline values, baseline for the portion of NDC, target values, mitigation effects of policies and measures, etc.}											
Where applicable, total GHG emissions and removals consistent with the coverage of the NDC {MPGs, p. 77(b)}											
Contribution from the LULUCF sector for each year of the target period or target year, if not included in the inventory time series of total net GHG emissions and removals, as applicable {MPGs, p. 77(c)}											
Each Party that participates in cooperative approaches that involve the use of ITMOs towards an NDC under Article 4 of the Paris Agreement, or authorizes the use of mitigation outcomes for international mitigation purposes other than achievement of the NDC, shall provide: {MPGs, p. 77(d)}											

Executed by:



Funded by:



Implemented by:



copenhagen climate centre

Thank you for your attention!

For more information:
<https://climate-transparency-platform.org>

Jaypalsinh Chauhan

Asia Transparency Network Coordinator
CBIT GSP, UNEP Copenhagen Climate Centre

Executed by:



Funded by:



Implemented by:

